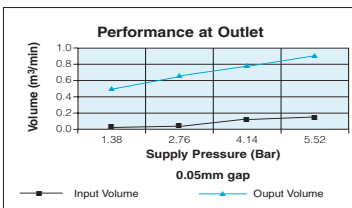
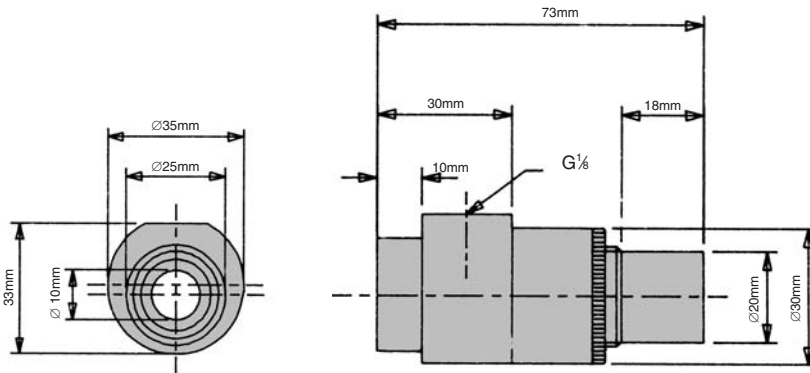


ADJUSTABLE AIRMOVER AM10A



Bar	Vol in m ³ /min	Vol out m ³ /min
1.38	0.048	0.490
2.76	0.065	0.660
4.14	0.125	0.733
5.52	0.164	0.886

PERFORMANCE DATA – DUCTED

METRIC	Back Pressure (mm water gauge) and guide to equivalent pipe length											
	125mm water gauge		250mm water gauge		375mm water gauge		500mm water gauge		625mm water gauge			
	Supply Pressure kg/cm ²	V _i m ³ /min	V _c m ³ /min	Equiv. Pipe length m	V _o m ³ /min	Equiv. Pipe length m	V _o m ³ /min	Equiv. Pipe length m	V _o m ³ /min	Equiv. Pipe length m	V _o m ³ /min	Equiv. Pipe length m
2	.060	.26	7	.13	50	.20	37	.33	15	.13	-	-
3	.070	.47	2	.31	9	.36	10	.51	6	.37	14	6
4	.115	.64	1	.51	3	.54	4	.64	4	.58	6	6
5	.150	.76	1	.65	2	.72	3					
6	.180	.87	0.5	.78	2							

Material: Aluminium alloy.

Weight: 0.09Kg

Standard Gap: Adjustable

dB(A) at: 5.5 bar is 73

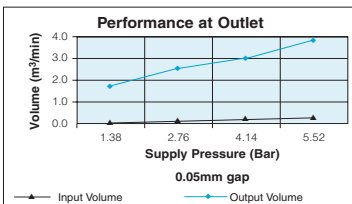
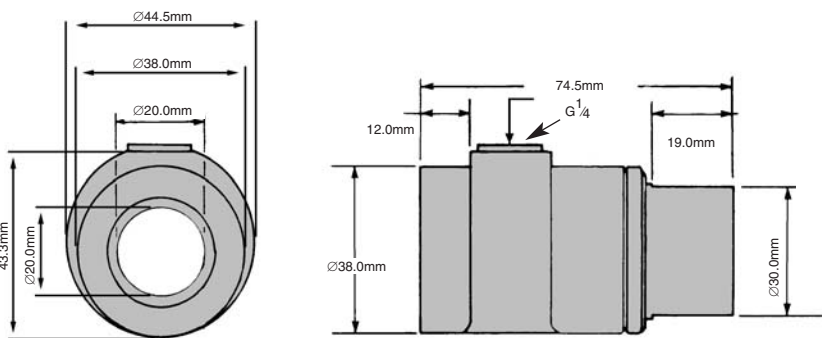
Shims: Not Applicable

Standard Inlet Thread: G $\frac{1}{8}$

Options: $\frac{1}{8}$ " NPT

Please specify on order $\frac{1}{8}$ " NPTF

ADJUSTABLE AIRMOVER AM20A



Bar	Vol in m ³ /min	Vol out m ³ /min
1.38	0.105	1.614
2.76	0.164	2.492
4.14	0.224	3.030
5.52	0.286	3.681

PERFORMANCE DATA – DUCTED

METRIC	Back Pressure (mm water gauge) and guide to equivalent pipe length											
	50mm water gauge		100mm water gauge		150mm water gauge		200mm water gauge		250mm water gauge			
	Supply Pressure kg/cm ²	V _i m ³ /min	V _c m ³ /min	Equiv. Pipe length m	V _o m ³ /min	Equiv. Pipe length m	V _o m ³ /min	Equiv. Pipe length m	V _o m ³ /min	Equiv. Pipe length m	V _o m ³ /min	Equiv. Pipe length m
2	.125	.91	2.0	.59	9	.42	27	.62	18	.74	16	6
3	.170	1.42	0.8	1.03	3	.85	7	1.05	6	1.22	6	3
4	.210	1.90	0.4	1.46	2	1.25	3	1.51	3	1.78	3	3
5	.265	2.55	0.3	1.98	1	1.70	2	2.04	2			
6	.295	3.45	0.2	2.75	0.5	2.18	1					

Material: Aluminium alloy.

Weight: 0.13Kg

Standard Gap: Adjustable

dB(A) at: 5.5 bar is 79

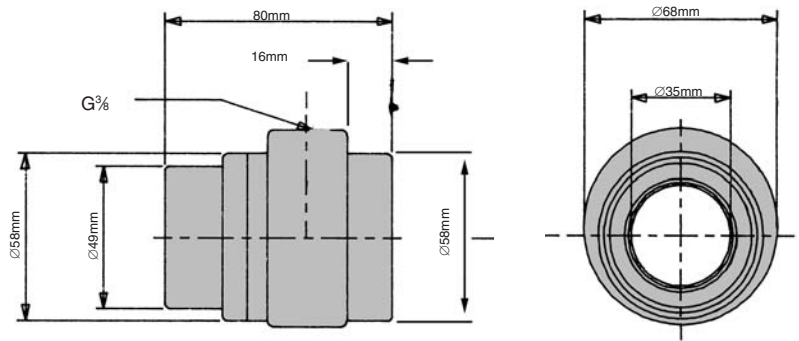
Shims: Not Applicable

Standard Inlet Thread: G $\frac{1}{4}$

Options: $\frac{1}{4}$ " NPT

Please specify on order $\frac{1}{4}$ " NPTF

AM35A ADJUSTABLE AIRMOVER



Material: Aluminium alloy.

Weight: 0.28Kg

Standard Gap: Adjustable

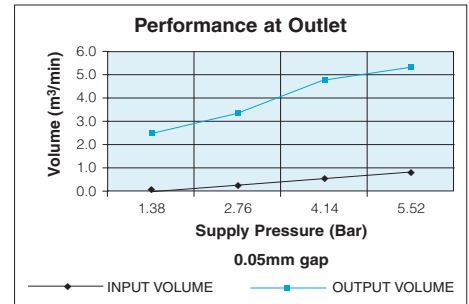
dB(A): 5.5 bar is 80

Shims: Not Applicable

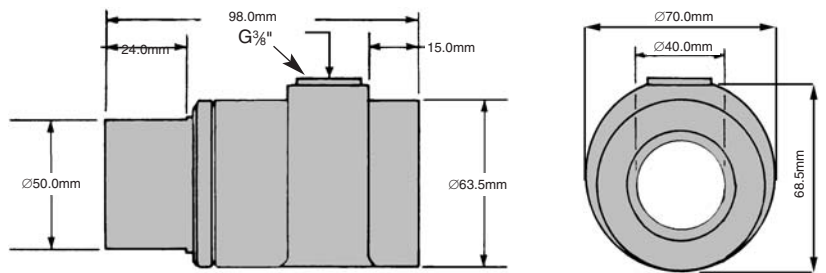
Standard Inlet Thread: G $\frac{3}{8}$

Options: $\frac{3}{8}$ " NPT
Please specify on order $\frac{3}{8}$ " NPTF

Bar	Vol in m ³ /min	Vol out m ³ /min
1.38	0.193	2.350
2.76	0.326	3.361
4.14	0.484	4.621
5.52	0.631	5.207



AM40A ADJUSTABLE AIRMOVER



Material: Aluminium alloy.

Weight: 0.39Kg

Standard Gap: Adjustable

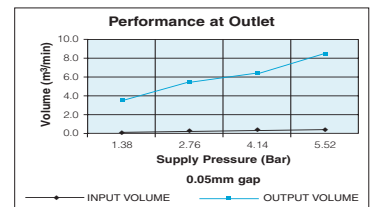
dB(A) at: 5.5 bar is 80

Shims: Not applicable

Standard Inlet Thread: G $\frac{3}{8}$

Options: $\frac{3}{8}$ " NPT
Please specify on order $\frac{3}{8}$ " NPTF

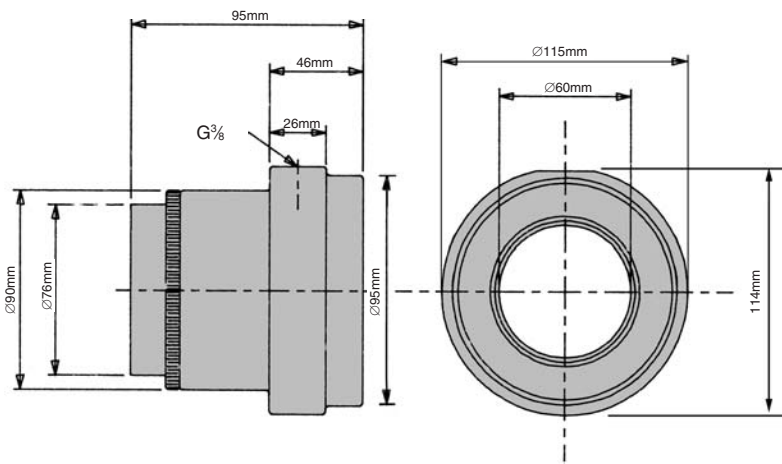
Bar	Vol in m ³ /min	Vol out m ³ /min
1.38	0.207	3.256
2.76	0.323	5.182
4.14	0.439	6.513
5.52	0.555	8.297



PERFORMANCE DATA – DUCTED

METRIC	Back Pressure (mm water gauge) and guide to equivalent pipe length										
	50mm water gauge		100mm water gauge		150mm water gauge		200mm water gauge		250mm water gauge		
Supply Pressure kg/cm ²	VI m ³ /min	Vc m ³ /min	Equiv. Pipe length m	Vo m ³ /min	Equiv. Pipe length m	Vo m ³ /min	Equiv. Pipe length m	Vo m ³ /min	Equiv. Pipe length m	Vo m ³ /min	Equiv. Pipe length m
2	.26	1.22	10	1.00	29	1.16	34	1.00	58	1.33	43
3	.36	1.97	4	1.44	14	1.75	15	1.80	18	2.20	15
4	.42	2.88	2	2.20	6	2.49	7	2.63	9		
5	.50	4.14	1	3.08	3						
6	.58	5.41	0.6	4.25	2						

ADJUSTABLE AIRMOVER AM60A



Material: Aluminium alloy.

Weight: 0.83Kg

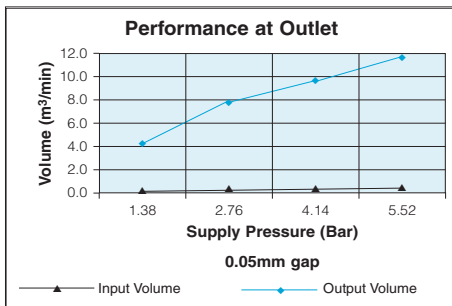
Standard Gap: Adjustable

dB(A): 5.5 bar is 80

Shims: Not Applicable

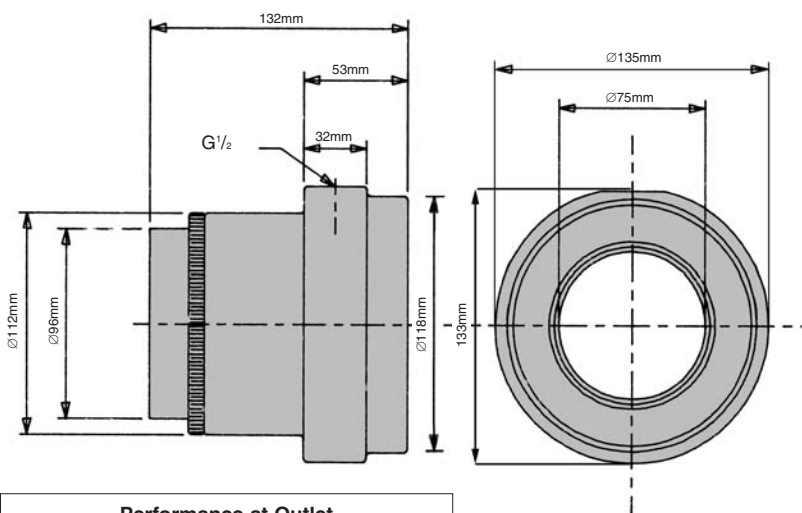
Standard Inlet Thread: G $\frac{3}{8}$

Options: $\frac{3}{8}$ " NPT
Please specify on order $\frac{3}{8}$ " NPTF



Bar	Vol in m ³ /min	Vol out m ³ /min
1.38	0.280	4.191
2.76	0.476	7.561
4.14	0.654	9.231
5.52	0.841	11.327

ADJUSTABLE AIRMOVER AM75A



Material: Aluminium alloy.

Weight: 1.5Kg

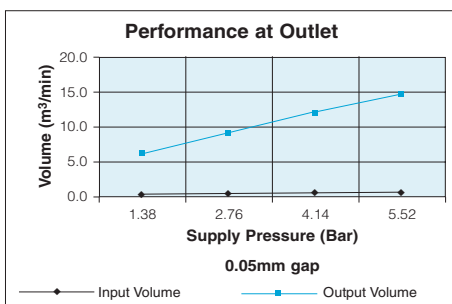
Standard Gap: Adjustable

dB(A) at: 5.5 bar is 80

Shims: Not Applicable

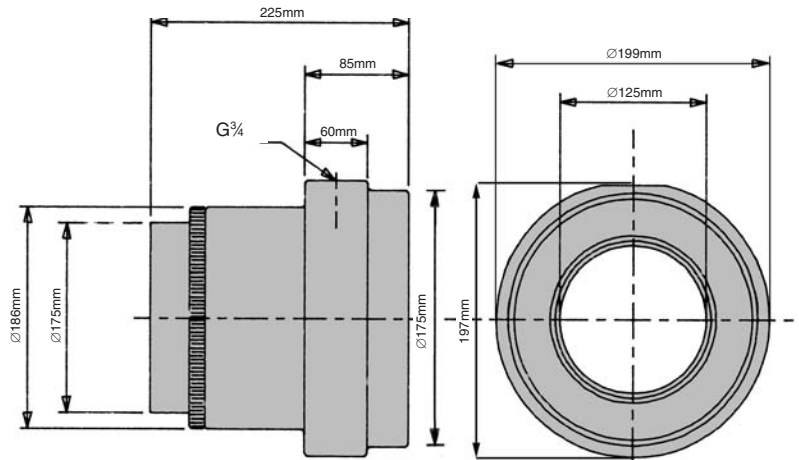
Standard Inlet Thread: G $\frac{1}{2}$

Options: $\frac{1}{2}$ " NPT
Please specify on order $\frac{1}{2}$ " NPTF



Bar	Vol in m ³ /min	Vol out m ³ /min
1.38	0.425	6.230
2.76	0.651	9.203
4.14	0.906	12.035
5.52	1.133	14.866

AM125A ADJUSTABLE AIRMOVER



Material: Aluminium Alloy.

Weight: 5.4Kg

Standard Gap: Adjustable

dB(A) at: 5.5 bar is 8.5

Shims: Not applicable

Standard Inlet Thread: G $\frac{3}{4}$

Options: $\frac{3}{4}$ " NPT
Please specify on order $\frac{3}{4}$ " NPTF

Bar	Vol in m ³ /min	Vol out m ³ /min
1.38	1.982	38.936
2.76	3.115	53.660
4.14	4.276	68.668
5.52	5.324	80.137

